

MINI POTENCE PIVOTANTE

Charlotte Perriand

Charlotte Perriand was inspired by the boom of sailboats when in 1938 she conceived Potence Pivotante. Designed as a highly accessible swivel lamp, realized using two black tubular sections assembled in the shape of an inverted 'L' to lead the electrical wire from the switch to the bulb. The steel arm fixed to the wall rotates on the horizontal axis, describing an angle of almost 180°.



LED/HALO

LAMPING

Source	G9
Total power	4W
Emission	diffused
Switching	switch on cable
Tension	230V
Color temperature	2700K
Luminous flux	400lm
Typ CRI	80
IP class	20
Dimensions	50x100
Materials	steel + aluminium
Notes	cable length 2,5m, orientable, max power allowed 25W HALO bulb, LED dimmable bulb included. Dimmable (only with direct wall electrical installation). Red RAL3004, grey RAL7046, blue RAL5002, black RAL9005
Accessories	Wall electrical installation cover, black, red, grey
Net lamp weight	1 kg

Codes

- POM HNW 31
- POM HRW 31
- POM HDW 31

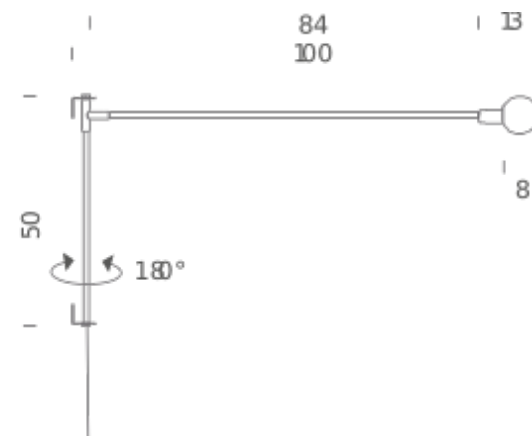
Structure

- black
- red
- grey

PACKAGE

Package 01 Dimension: 101x20x12 cm / Gross weight: 2 kg

Certificazioni



wall electrical installation cover

